

**INSTRUCTIONS TO ATTACH HANDLE ASSEMBLY TO THE PUMP UNIT**

1 - Insert the handle (110) onto the pump piston (303), then use a hammer to insert the axle with hole (105) into the hydraulic pump and handle from right to left - See Fig.1

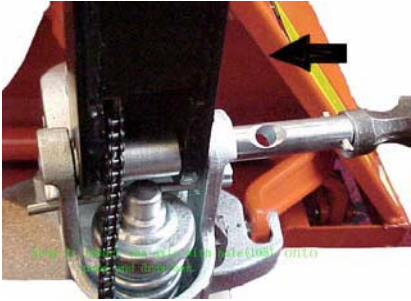


Fig.1

2 - Let control lever (117) to the LOWER position, then pass the adjusting nut (104), adjusting bolt (103) and chain (102) through the hole of axle (105) - See Fig.2

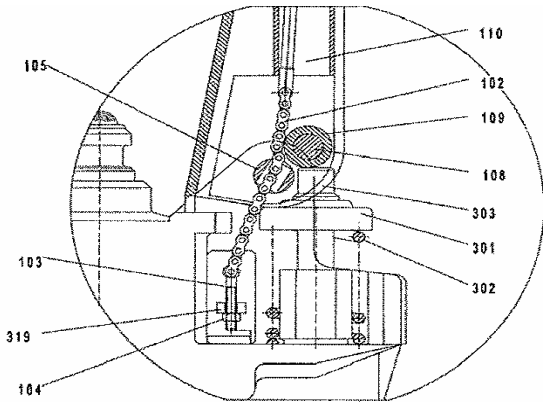


Fig.2

3 - Press the handle (110) down, take away the pin, which is to fix the spring cap (301)

4 - Let the control handle(117) on RAISE position, then raise the release lever (319) with the pin and insert adjusting bolt (103) into the front slot of release lever (319), note to keep adjusting nut (104) under release lever.



5 -Use a hammer to tap another elastic pin (106) into the axle with hole (105).



The handle is now assembled to pump

## ADJUSTING RELEASE LEVER

On the handle of this pallet truck, you can find control lever (L117) which can be adjusted in three positions:

Raise - lever down



Drive - lever in center



Lower - lever up (lever moves back to drive position when released)



If however they have been changed, you can adjust according to the following steps:

A - If the forks elevate while pumping in the **DRIVE** position, turn the adjusting nut (104) on adjusting bolt (103) or adjusting screw (318) clockwise until pumping action doesn't raise the forks and the **DRIVE** position functions properly.



B - If the forks descend while pumping in the **DRIVE** position, turn the nut (104) or adjusting screw (318) counter-clockwise until the forks don't lower.

C - If the forks don't descend when control lever (117) is in the **LOWER** position, turn the nut (104) or adjusting screw (318) clockwise until raising the control lever (117) lowers the forks. Then check the **Drive** position according to item A and B to be sure the nut (104) and screw (318) is in the proper position.

D - If the forks don't elevate while pumping in the **RAISE** position, turn the nut (L117) counter-clockwise until the forks elevate while pumping in the **RAISE** position. Then check the **LOWER** and **DRIVE** position according to item A, B, & C.